

| Teil Part | Beschreibung Description | Sachnummer Code no. | Position Sheet Pos. | Ort Loc. |
|-----------|--------------------------------------------------------------------------|---------------------|---------------------|----------|
| A01 | Maschinensteuerung machine controller | 97138374 | siehe Zusatztab. | |
| A02 | Bedienfeld touch panel | 97140404 | siehe Zusatztab. | |
| A04 | Fahrsteuerung Vorderrad drive controller | 97139570 | siehe Zusatztab. | |
| A05 | Fahrsteuerung Hinterrad drive controller | 97139562 | siehe Zusatztab. | |
| A07 | Steuerung Seitenbesen controller side brush | 90410366 | siehe Zusatztab. | |
| A20 | Fleetrecorder fleetrecorder | 97131411 | siehe Zusatztab. | |
| A101 | Chemiepumpensteuerung chemical pump controller | 97139372 | 10/28 | |
| B03 | Fahrgeber accelerator | 97131882 | 8/40 | |
| B04 | Frischwassersensor fresh water sensor | 92013481 | 6/16 | |
| B20 | I-Button-Reader i-button-reader | 97131429 | 11/20 | |
| B101 | Durchflussmesser flow sensor | 90596529 | 10/30 | |
| C01 | Entstörkondensator suppressor capacitor front drive | 90288879 | 5/15 | |
| E01 | Arbeitsscheinwerfer working headlight | 97132807 | 10/5 | |
| E02 | Blitzleuchte warning beacon | 97084222 | 10/12 | |
| E02. | Blitzleuchte am Schutzdach warning beacon on overhead cover | 97084222 | 10/20 | |
| F01 | Sicherung Steuerspannung 7,5A fuse controller 7,5A | 19731587 | 3/15 | |
| F01. | Sicherung Steuerspannung 7,5A fuse controller 7,5A | 19731587 | 3/40 | |
| F02 | Sicherung Maschinensteuerung 125A fuse machine controller 125A | 19731546 | 4/2 | |
| F03 | Sicherung Fahrsteuerung vorne 150A fuse drive controller front 150A | 19731561 | 4/6 | |
| F04 | Sicherung Fahrsteuerung hinten 100A fuse drive controller rear 100A | 19731553 | 4/11 | |
| F05 | Sicherung Kehrvorsatz/Seitenbesen 30A fuse front sweeper/side broom 30A | 19731595 | 4/14 | |
| F19 | Sicherung Hupe 5A fuse horn 5A | 19731272 | 3/19 | |
| F19. | Sicherung Hupe 5A fuse horn 5A | 19731272 | 3/44 | |
| G01 | Batterie 320Ah PzS battery 320Ah PzS | 90683624 | 3/4 | |
| G01. | Batterie 280Ah PzV battery 280Ah PzV | 92027515 | 3/12 | |
| G10 | Onboard-Ladegerät 35A onboard charger 35A | 97147524 | 3/5 | |
| H01 | Hupe horn | 90194911 | 5/10 | |
| K01 | Hauptrelais 2-pol. main relais 2-pole | 92004282 | 3/25 | |
| K01. | Hauptrelais 1-pol. main relais 1-pole | 92027176 | 3/50 | |
| K02 | Relais 1-pol. relais 1-pole | 90267949 | 8/8 | |
| K03 | Relais 1-pol. relais 1-pole | 90267949 | 9/27 | |
| K05 | Rel. Ausheb. rel. sidebr. | 90696857 | 12/47 | |
| M01 | Fahrmotor drive motor | 90685835 | 8/40 | |
| M02 | Hinterradantrieb drive motor rear | 97141428 | 9/37 | |
| M03 | Bürstenmotor links (Tellerbürste) brush motor left (plate brush) | 90577248 | 7/24 | |
| M03. | Bürstenmotor links (Walzenbürste) brush motor left (cylindrical brush) | 92009562 | 7/47 | |
| M04 | Bürstenmotor rechts (Tellerbürste) brush motor right (plate brush) | 90577248 | 7/35 | |
| M04. | Bürstenmotor rechts (Walzenbürste) brush motor right (cylindrical brush) | 92009562 | 7/58 | |
| M08 | Wasserpumpe waterpump | 97116529 | 6/22 | |
| M09 | Hubelement Bürstendeck lifting element brushdeck | 92023332 | 7/15 | |
| M10 | Hubelement Saugfuß lifting element squeegee | 92005727 | 7/27 | |
| M12 | Hubelement Seitenbesenanlage lifting element side brush deck | 92005727 | 12/50 | |
| M16 | Saugmotor suction motor | 97142475 | 7/11 | |

| Teil Part | Beschreibung Description | Sachnummer Code no. | Position Sheet Pos. | Ort Loc. |
|-----------|-------------------------------------------|---------------------|---------------------|----------|
| M17 | Saugmotor suction motor | 97142475 | 7/15 | |
| M19 | Seitenbesenmotor links sidebroom left | 92014455 | 12/6 | |
| M20 | Seitenbesenmotor rechts sidebroom right | 92019017 | 12/16 | |
| P20 | Summer Fleetrecorder buzzer fleetrecorder | 97134456 | 11/25 | |
| R10 | Widerstand R120 resistor R120 | 90266925 | 3/5 | |
| R20 | Lenkwinkelsensor sensor steer angel | 92017995 | 9/21 | |
| R102 | Vorwiderstand 2k7 resistor 2k7 | 19245258 | 11/15 | |
| R103 | Vorwiderstand 4k7 resistor 4k7 | 19245216 | 11/7 | |
| S01 | Schlüsselschalter key switch | 90323437 | 4/25 | |
| S04 | Schmutzwasserschalter dirty water switch | 97142400 | 6/24 | |
| S05 | Sitzkontaktschalter seat contact switch | 90690694 | 6/30 | |
| S10 | Fußbremsschalter switch foot brake | 90472176 | 8/12 | |
| V01 | Freilaufdiode recovery diode | 90194879 | 5/7 | |
| T10 | Kombiantenne antenna | 90672007 | 11/9 | |
| Y01 | Wasserventil watervalve | 90435595 | 6/33 | |

| Teil Part | Beschreibung Description | Sachnummer Code no. | Position Sheet Pos. | Ort Loc. |
|-----------|----------------------------------------------------|---------------------|---------------------|----------|
| M03/S1 | 2-pol. AMP Super-Seal | | 7/51 | |
| M04/S1 | 2-pol. AMP Super-Seal | | 7/62 | |
| X01 | Batteriestecker 160A battery connector 160A | | 3/3 3/26 | |
| X01. | Batteriestecker 160A battery connector 160A | | 3/10 3/53 | |
| X02 | 6-pol. Fastin-Faston 6.3 | | 3/14 4/31 | |
| X02. | 6-pol. Fastin-Faston 6.3 | | 3/41 | |
| X11 | 8-pol. Mini-Fit Jr. | | 9/1 | |
| X11. | 8-pol. Mini-Fit Jr. | | 9/18 | |
| X20 | 4-pol. Mini-Fit Jr. | | 6/7 | |
| X22 | 14-pol. Mini-Fit Jr. | | 12/23 12/32 | |
| X43 | Verteilerbolzen (-) M8 junction bolt (-) M8 | | 3/36 | |
| X44 | 4-pol. Fastin-Faston 6.3 | | 7/25 12/46 | |
| X44A | 4-pol. Fastin-Faston 6.3 | | 12/45 | |
| X44B | 4-pol. Fastin-Faston 6.3 | | 12/45 | |
| X45 | 8-pol. Mini-Fit Jr. | | 12/23 | |
| X60 | OBDDII Diagnosestecker OBDDII diagnostic connector | | 4/52 | |
| X65 | 2-pol. Mini-Fit Jr. | | 10/14 | |
| X65. | 2-pol. Mini-Fit Jr. | | 10/22 | |
| X78 | 8-pol. MicroFit | | 11/4 | |
| X97 | 4-pol. USB | | 5/31 | |
| X100 | VGND M6 Bolzen | | 5/26 | |
| X101 | VGND M6 Bolzen | | 6/56 | |

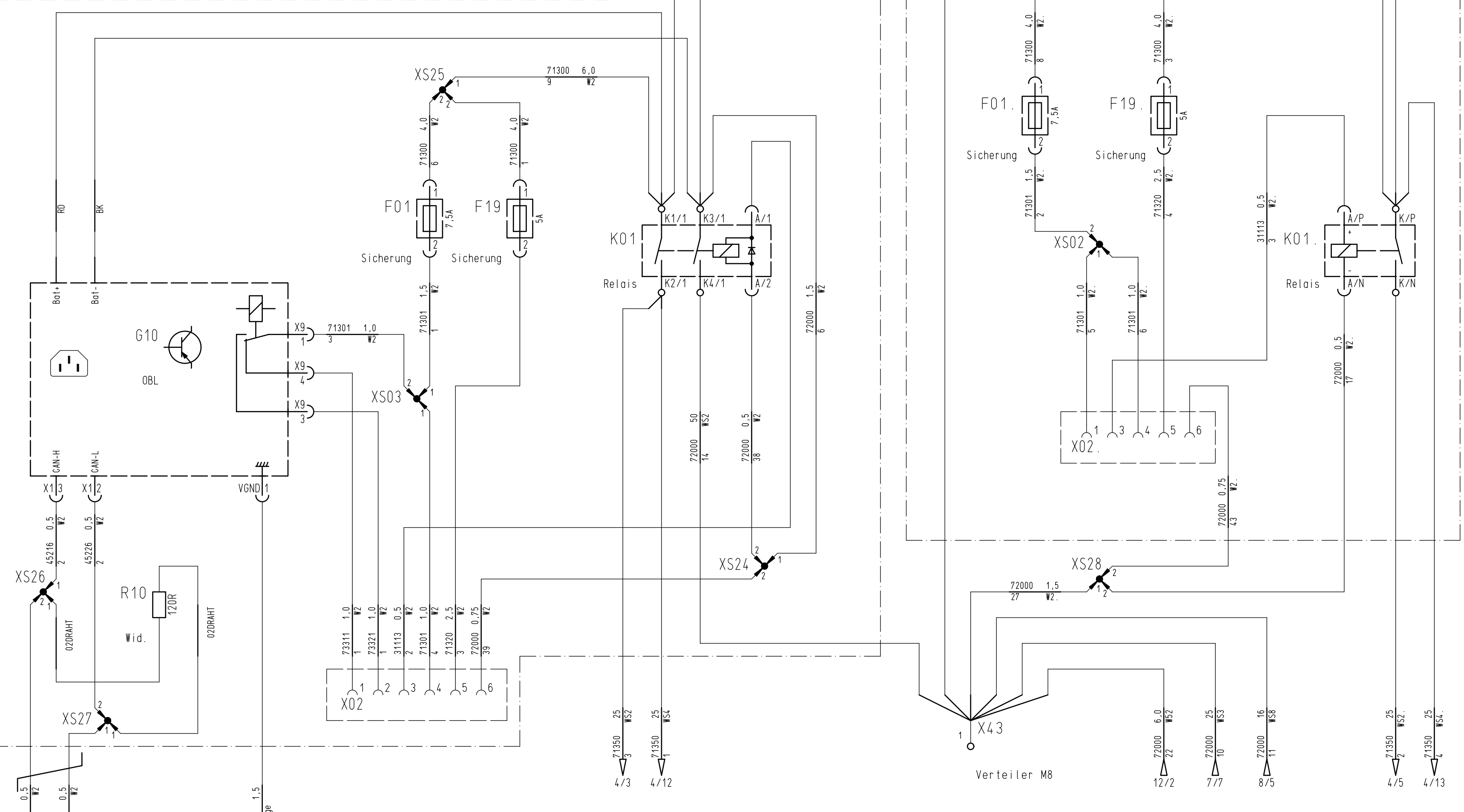
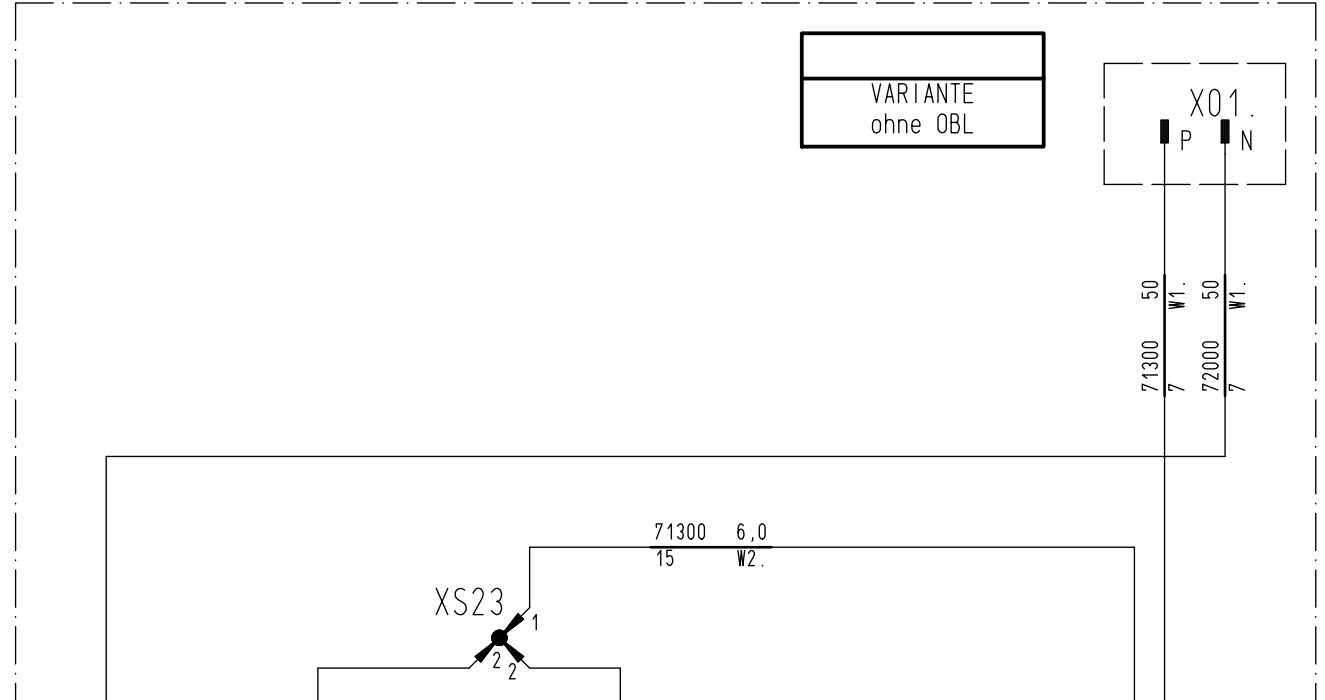
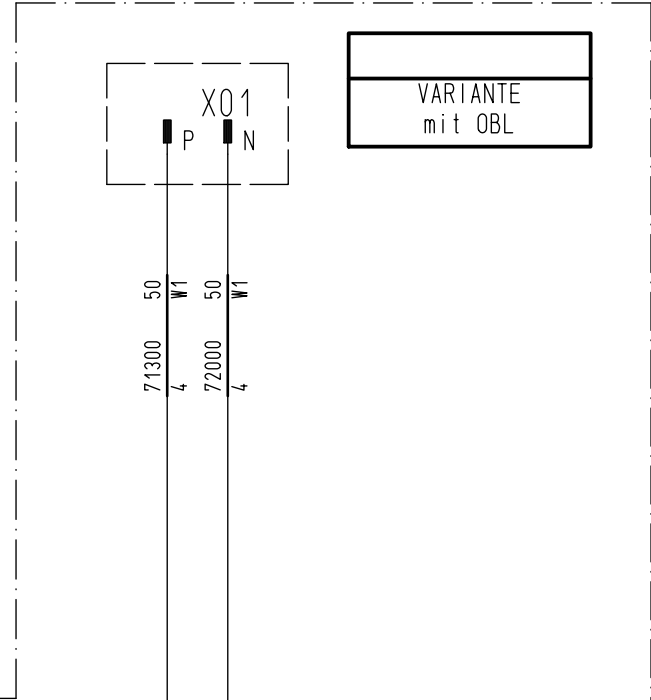
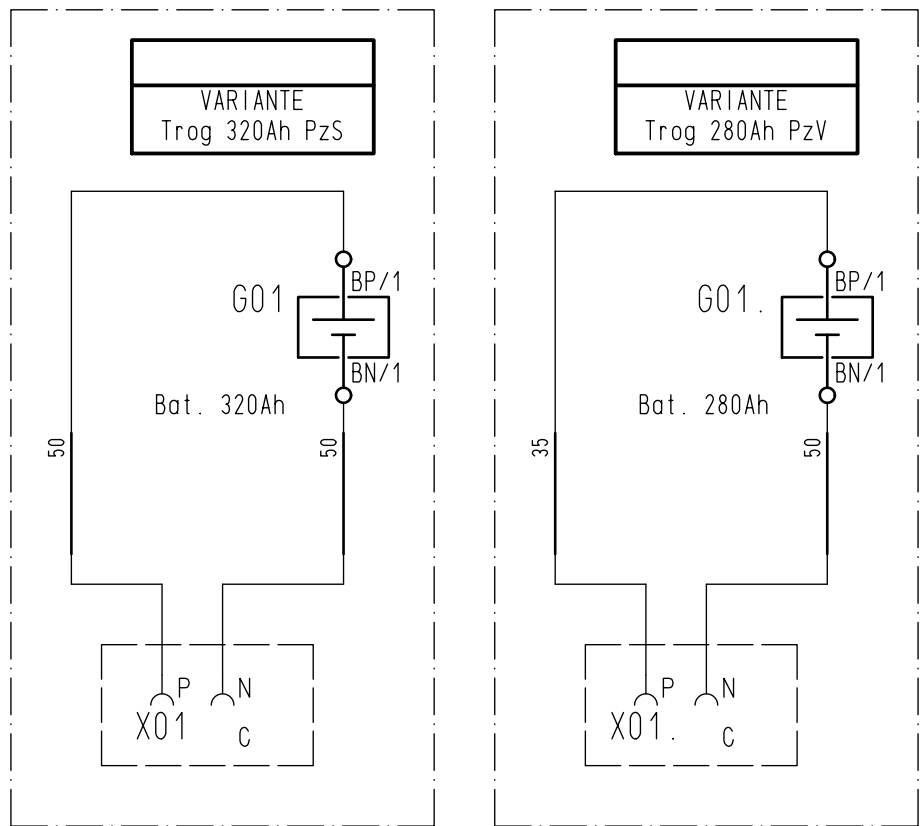
| Teil Part | Beschreibung Description | Sachnummer Code no. | Position Sheet Pos. | Ort Loc. |
|-----------|--------------------------|---------------------|---------------------|----------|
| XS01 | USSP ussp | - | 4/31 | |
| XS02 | USSP ussp | - | 3/41 | |
| XS03 | USSP ussp | - | 3/14 | |
| XS06 | USSP ussp | - | 4/25 | |
| XS08 | USSP ussp | - | 4/34 | |
| XS09 | USSP ussp | - | 11/5 | |
| XS10 | USSP ussp | - | 9/37 | |
| XS11 | USSP ussp | - | 8/15 | |
| XS12 | USSP ussp | - | 8/2 | |
| XS13 | USSP ussp | - | 5/8 | |
| XS14 | USSP ussp | - | 4/42 | |
| XS15 | USSP ussp | - | 12/12 | |
| XS16 | USSP ussp | - | 12/18 | |
| XS17 | USSP ussp | - | 8/9 | |
| XS19 | USSP ussp | - | 8/20 | |
| XS20 | USSP ussp | - | 8/22 | |
| XS23 | USSP ussp | - | 3/42 | |
| XS24 | USSP ussp | - | 3/30 | |
| XS25 | USSP ussp | - | 3/16 | |
| XS26 | Splice splice | - | 3/1 | |
| XS27 | Splice splice | - | 3/3 | |
| XS28 | USSP ussp | - | 3/41 | |
| XS34 | Splice splice | - | 5/11 | |
| XS35 | Splice splice | - | 5/11 | |
| XS36 | USSP ussp | - | 5/24 | |
| XS37 | USSP ussp | - | 5/26 | |
| XS38 | USSP ussp | - | 5/32 | |
| XS39 | USSP ussp | - | 5/33 | |
| XS40 | USSP ussp | - | 5/26 | |
| XS41 | USSP ussp | - | 5/49 | |
| XS42 | USSP ussp | - | 5/51 | |
| XS43 | USSP ussp | - | 6/48 | |
| XS44 | USSP ussp | - | 6/50 | |
| XS45 | USSP ussp | - | 12/47 | |
| XS77 | USSP ussp | - | 11/17 | |

| | | | | | | | | | | | | | | | |
|--------------------|--|------------|----------|---------|----------|------|------|--------------------|--|-------------------------------------------------------------|--|--------------------------------------------------------------------------------------------------------------------------|--|----------------|--|
| Integrated acc. | | 3737-53 | 26.03.18 | Rifmann | 2015 | Date | Name | B175 R | | Name | |  Hako GmbH D-23840 Bad Olsderloe | | Drawing Number | |
| No. Number appears | | Change No. | Date | Name | Standard | | | Replacem. for | | Schaltplan B175 R / circuit diagram B175 R | | 91037804 | | No. of Sh. 15 | |
| | | | | | | | | Change No. 0000-17 | | For this drawing we reserve all rights (acc. DIN ISO 16016) | | KABI 470 | | Sheet 1 | |

| Teil Part | Beschreibung Description | Position Sheet Pos. | Ort Loc. |
|-----------|---------------------------------------------|---------------------------------------------------------------------|---------------------------------------------------------------------|
| A01 | Maschinensteuerung machine controller | X1 7/6 X2 7/6 | X3 7/21 X4 7/26 |
| A01/X11 | Maschinensteuerung machine controller | X11/1 7/20 X11/2 7/25 | X11/3 •/• X11/4 7/18 |
| A01/X12 | Maschinensteuerung machine controller | X12/1 6/24 X12/2 •/• X12/3 •/• X12/4 6/27 X12/5 6/30 | X12/6 6/26 X12/7 6/28 X12/8 •/• X12/9 6/29 X12/10 •/• |
| A01/X13 | Maschinensteuerung machine controller | X13/1 7/12 X13/2 6/48 X13/3 6/53 X13/4 6/40 X13/5 •/• | X13/6 6/43 X13/7 7/15 X13/8 6/51 X13/9 6/54 X13/10 6/34 |
| A01/X14 | Maschinensteuerung machine controller | X14/1 6/2 X14/2 6/4 | X14/3 5/40 X14/4 5/37 |
| A01/X15 | Maschinensteuerung machine controller | X15/1 •/• X15/2 •/• X15/3 6/21 X15/4 6/24 X15/5 7/11 | X15/6 6/28 X15/7 6/30 X15/8 6/53 X15/9 6/45 X15/10 6/49 |
| A01/X18 | Maschinensteuerung machine controller | X18/1 5/41 X18/2 5/38 | X18/3 5/50 X18/4 •/• |
| A01/X20 | Maschinensteuerung machine controller | X20/1 •/• X20/2 5/52 | X20/3 •/• X20/4 5/49 |
| A01/X22 | Maschinensteuerung machine controller | X22 6/56 | |
| A02 | Bedienfeld touch panel | X101/1 5/5 X101/2 5/11 X101/5 5/7 X101/6 5/9 X101/7 5/5 | X103/1 5/20 X103/2 5/22 X104/5 5/7 X104/105/10 |
| A04 | Fahrsteuerung drive controller | PBat/B+8/8 NBat/B-8/8 | M1/1 8/40 M2/1 8/42 |
| A04/A | Fahrsteuerung drive controller | A/1 8/33 A/2 8/34 A/3 8/40 A/4 8/16 A/5 8/16 | A/6 8/14 A/7 8/15 A/8 8/47 A/9 8/48 A/10 8/21 |
| A04/B | Fahrsteuerung drive controller | B/1 •/• B/2 •/• | B/3 •/• B/4 •/• |
| A04/C | Fahrsteuerung drive controller | C/1 8/46 C/2 8/47 | C/3 •/• C/4 8/50 |
| A05 | Fahrsteuerung drive controller | PBat/B+9/28 NBat/B-9/16 | M1/1 9/37 M2/1 9/39 |
| A05/A | Fahrsteuerung drive controller | A/1 •/• A/2 •/• A/3 •/• A/4 9/38 A/5 •/• | A/6 9/52 A/7 •/• A/8 9/22 A/9 9/23 A/10 9/35 |
| A05/B | Fahrsteuerung drive controller | B/1 •/• B/2 •/• | B/3 •/• B/4 •/• |
| A05/C | Fahrsteuerung drive controller | C/1 9/44 C/2 9/45 | C/3 9/38 C/4 9/47 |
| A07 | Steuerung Seitenbesen controller side brush | X1/1 12/1 X1/2 12/1 | X2/1 12/6 X2/2 12/12 |
| A20 | Fleetrecorder fleetrecorder | X1/1 11/3 X1/2 11/3 X1/3 11/4 X1/4 11/7 X1/5 11/12 | X1/6 11/15 X1/7 11/15 X1/8 •/• X1/9 11/17 X1/10 11/9 |

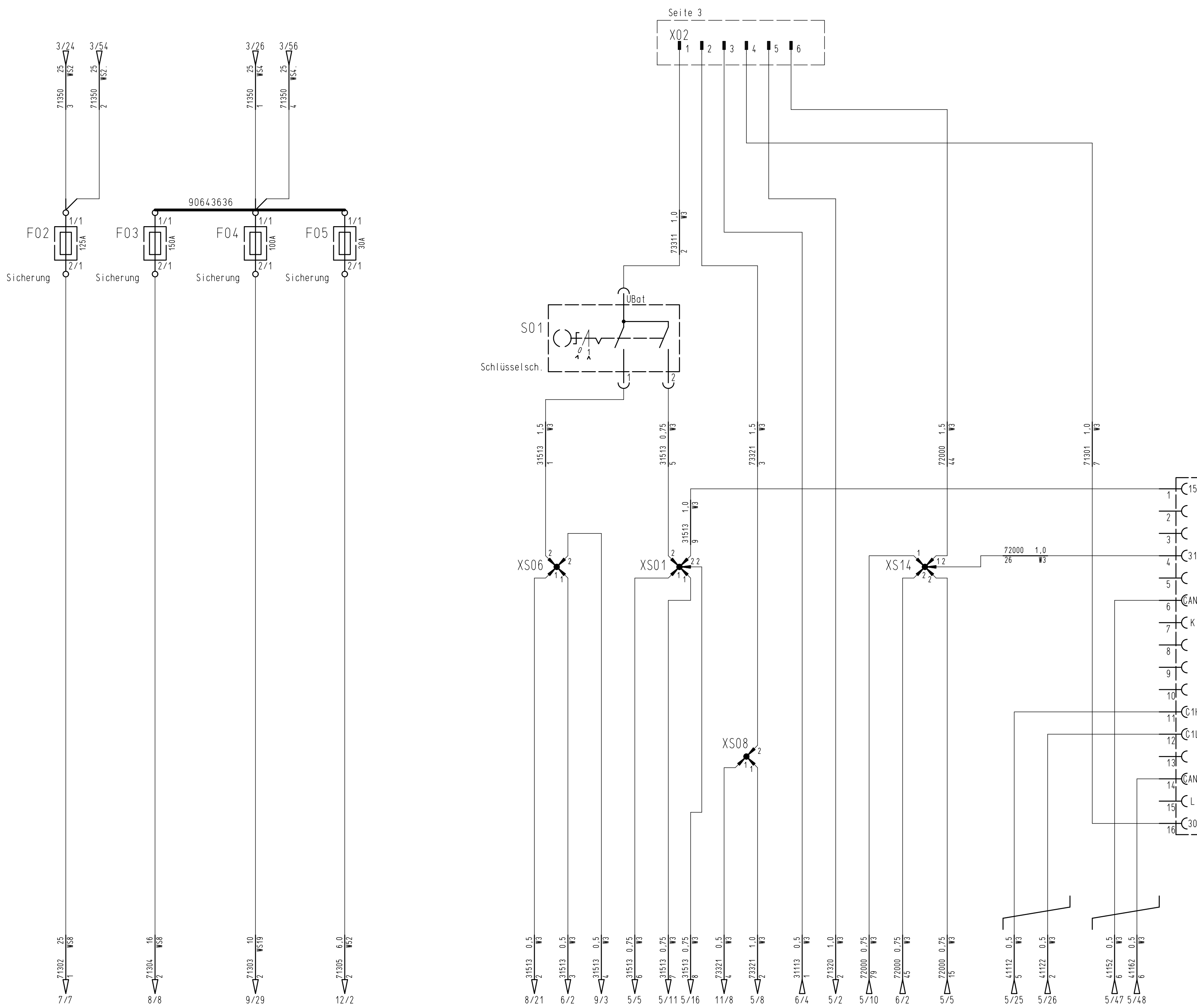
| Teil Part | Beschreibung Description | Sachnummer Code no. | Position Sheet Pos. | Ort Loc. |
|-----------|-----------------------------------------------------------------------------------------------------|---------------------|---------------------|----------|
| | Kabelbaum W1 (Variante mit ObBoard Charger) Wiring harness W1 (variant with OnBoard Charger) | 97141576 | | |
| | Kabelbaum W1 (Variante ohne OnBoard Charger) Wiring harness W1 (variant without OnBoard Charger) | 97141584 | | |
| | Kabelbaum W2 (Variante mit OnBoard Charger) Wiring harness W2 (variant with OnBoard Charger) | 97141030 | | |
| | Kabelbaum W2 (Variante ohne OnBoard Charger) Wiring harness W2 (variant without OnBoard Charger) | 97141048 | | |
| | Kabelbaum W3 Wiring harness W3 | 97140974 | | |
| | Kabelbaum W4 Wiring harness W4 | 97142285 | | |
| | Kabelbaum W10 Wiring harness W10 | 97142590 | | |
| | Kabelbaum W18 (Variante Allrad) Wiring harness W18 (variant all-wheel-drive) | 97140826 | | |
| | Kabelbaum W19 (Variante Allrad) Wiring harness W19 (variant all-wheel-drive) | 97140835 | | |
| | Kabelbaum W29 wiring harness W29 | 97145791 | | |
| | Kabelbaum W35 (Walzenbürste) wiring harness W35 (cyl. brush) | 97149777 | | |
| | Kabelbaum W36 (Walzenbürste) wiring harness W36 (cyl. brush) | 97149785 | | |
| | Kabelbaum W52 (Option Seitenbesenanlage) wiring harness W52 (option side brush) | 97139182 | | |
| | Kabelbaum W53 (Option Seitenbesenanlage) wiring harness W53 (option side brush) | 97146161 | | |
| | Kabelbaum W65 (Option Blitzleuchte) Wiring harness W65 (option flashlight) | 97144844 | | |
| | Kabelbaum W66 (Opt. Blitzleuchte Fahrerschuttdach) Wiring harness W66 (option flashlight roof) | 97144851 | | |
| | Kabelbaum W77 (Option Fleetrecorder) Wiring harness W77 (option data recording) | 97142178 | | |
| | Kabelsatz WS2 (Variante mit OnBoard Ladegerät) Cable set WS2 (Variant with OnBoard Charger) | 97141600 | | |
| | Kabelsatz WS2 (Variante ohne OnBoard Ladegerät) Cable set WS2 (variant without OnBoard Charger) | 97141618 | | |
| | Kabelsatz WS3 cable set WS3 | 97142970 | | |
| | Kabelsatz WS4 (Variante mit OnBoard Ladegerät) cable set WS4 (variant with OnBoard Charger) | 97142327 | | |
| | Kabelsatz WS4 (variante ohne OnBoard Ladegerät) cable set WS4 (variant without OnBoard Charger) | 97142335 | | |
| | Kabelsatz WS6 cable set WS6 | 97145916 | | |
| | Kabelsatz WS8 cable set WS8 | 97140933 | | |
| | Kabelsatz WS10 cable set WS10 | 97142939 | | |
| | Kabelsatz WS19 (Variante Allrad) cable set WS19 (variant all-wheel-drive) | 97140842 | | |
| | Kabelsatz WS30 Wiring harness WS30 | 97140925 | | |

| | | | | | | | | | | | | | |
|-------------------------|--|------------|---------|------|----------|------|--------------------|-------------------------------------------------------------|--------------------------------------------|---------------------------------------------------------------------------------------------------------------------------|----------------|---------------|----------|
| Integrated acc. 3737-53 | | 26.03.18 | Rifmann | 2015 | Date | Name | B175 R | Name | Schaltplan B175 R / circuit diagram B175 R |  Hako GmbH D-23840 Bad Odesloe | Drawing Number | | |
| No. Number appears | | Change No. | Date | Name | Standard | | Change No. 0000-17 | For this drawing we reserve all rights (acc. DIN ISO 16016) | | | KABI 470 | Type 7434 | Dep. ELK |
| | | | | | | | | | | | | No. of Sh. 15 | Sheet 2 |




- ### Legende
- F01 Sicherung Steuerspannung 7,5A fuse controller 7,5A
 - F01. Sicherung Steuerspannung 7,5A fuse controller 7,5A
 - F19 Sicherung Hupe 5A fuse horn 5A
 - F19. Sicherung Hupe 5A fuse horn 5A
 - G01 Batterie 320Ah PzS battery 320Ah PzS
 - G01. Batterie 280Ah PzV battery 280Ah PzV
 - G10 Onboard-Ladegerät 35A onboard charger 35A
 - K01 Hauptrelais 2-pol. main relais 2-pole
 - K01. Hauptrelais 1-pol. main relais 1-pole
 - R10 Widerstand R120 resistor R120
 - X01 Batteriestecker 160A battery connector 160A
 - X01. Batteriestecker 160A battery connector 160A
 - X02 6-pol. Fastin-Faston 6.3 6-pol. Fastin-Faston 6.3
 - X02. 6-pol. Fastin-Faston 6.3 6-pol. Fastin-Faston 6.3
 - X43 Verteilerbolzen (-) M8 junction bolt (-) M8
 - XS02 USSP ussp
 - XS03 USSP ussp
 - XS23 USSP ussp
 - XS24 USSP ussp
 - XS25 USSP ussp
 - XS26 USSP ussp
 - XS27 USSP ussp
 - XS28 USSP ussp

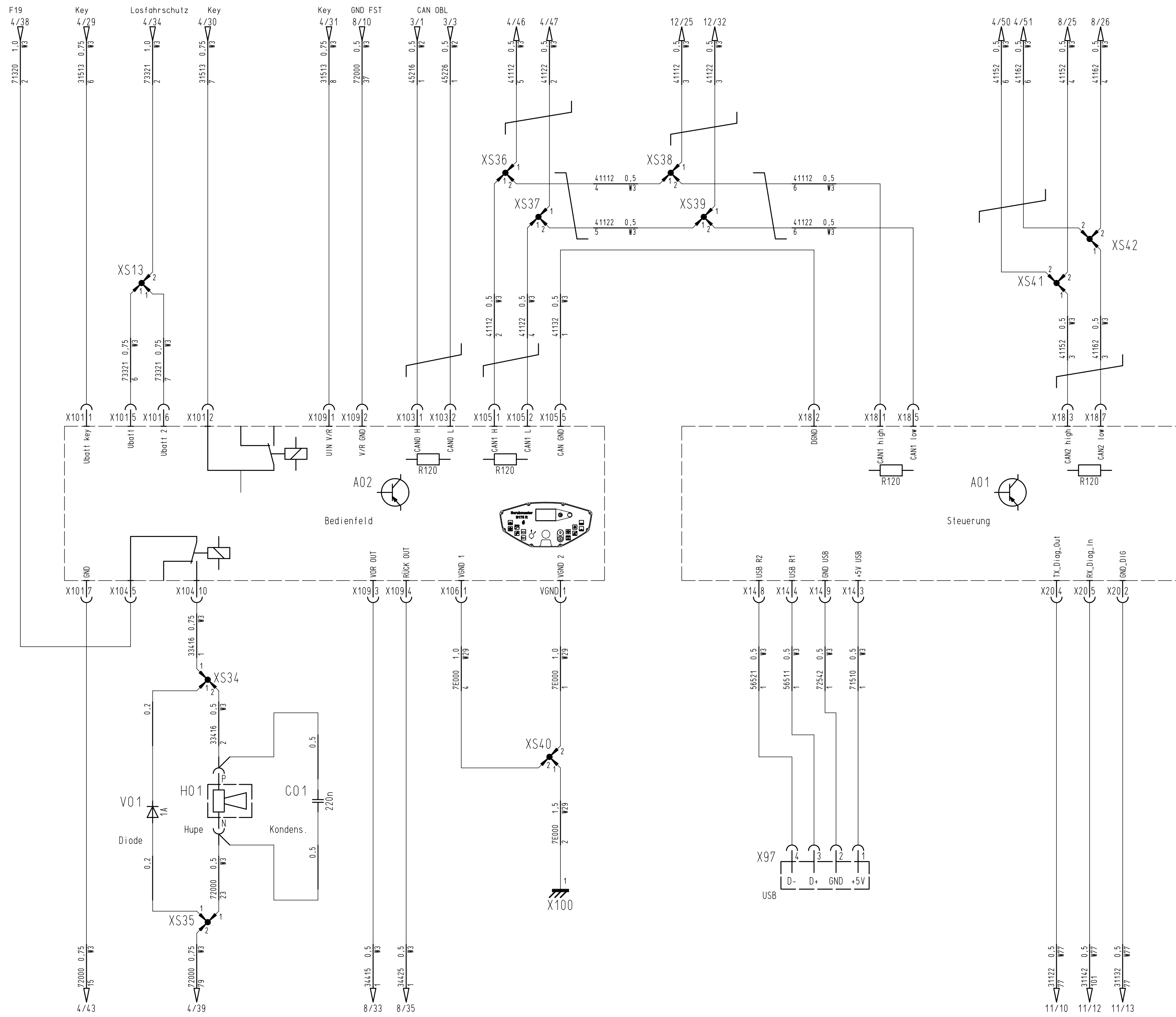
| | | | | | | | | | | | |
|--------------------------------------------|--|------------|---------|------|----------|------------|---------|-------------------------------------------------------------|---------------------------------------|----------------|-----------|
| Integrated acc. 3737-53 | | 26.03.18 | Rifmann | 2015 | Date | Name | B175 R | Name | Hako GmbH D-23840 Bad Oldesloe | Drawing Number | |
| No. Number appears | | Change No. | Date | Name | Standard | Change No. | 0000-17 | For this drawing we reserve all rights (acc. DIN ISO 16016) | | KABI 470 | Type 7434 |
| Schaltplan B175 R / circuit diagram B175 R | | | | | | | | 91037804 | | No. of Sh. 15 | Sheet 3 |



Legende

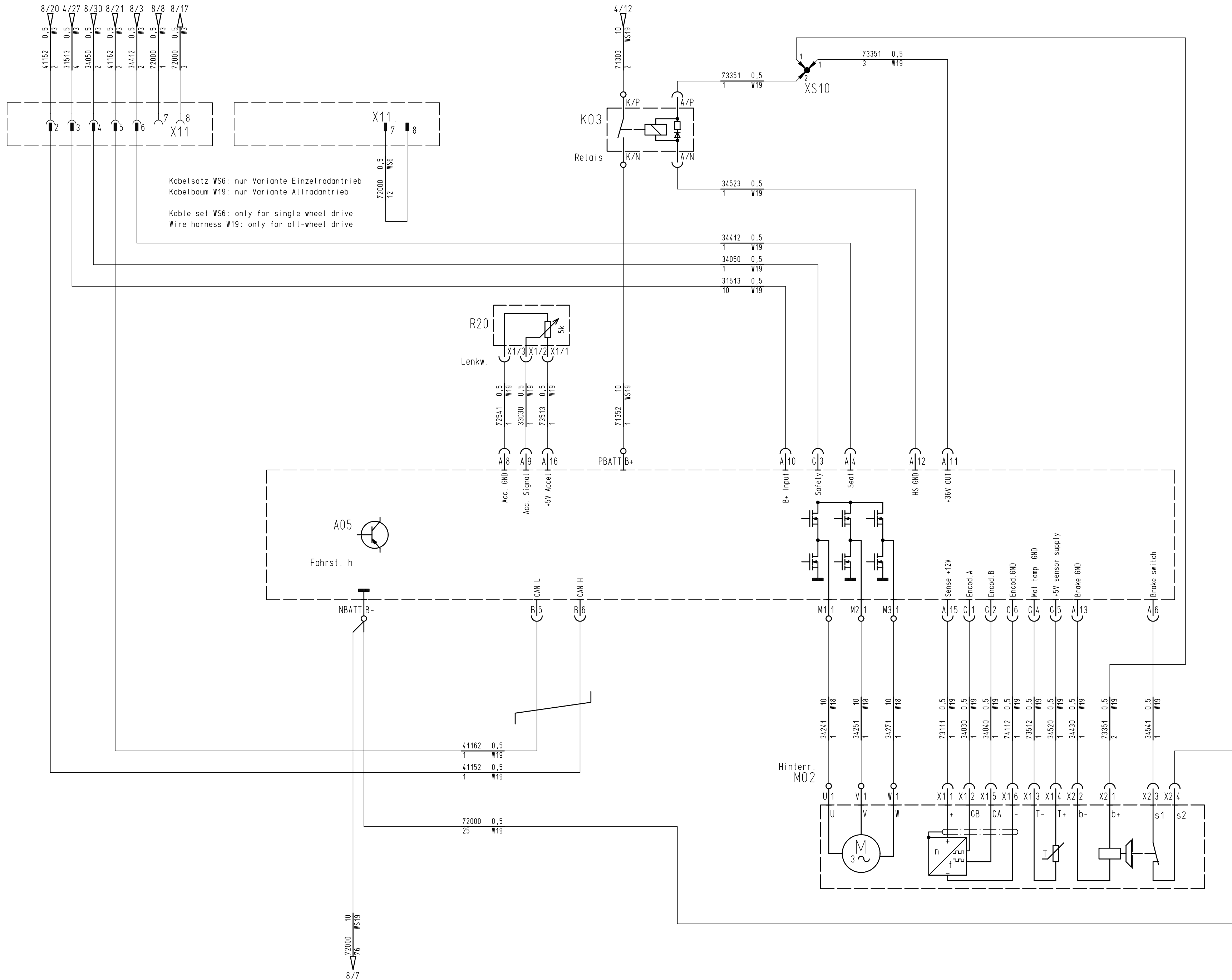
- F02 Sicherung Maschinensteuerung 125A
fuse machine controller 125A
- F03 Sicherung Fahrsteuerung vorne 150A
fuse drive controller front 150A
- F04 Sicherung Fahrsteuerung hinten 100A
fuse drive controller rear 100A
- F05 Sicherung Kehrvorsatz/Seitenbesen 30A
fuse front sweeper/side broom 30A
- S01 Schlüsselschalter
key switch
- X02 6-pol. Fastin-Faston 6.3
6-pol. Fastin-Faston 6.3
- X60 OBDII Diagnosestecker
OBDII diagnostic connector
- XS01 USSP
ussp
- XS06 USSP
ussp
- XS08 USSP
ussp
- XS14 USSP
ussp

| | | | | | | | | | | | | | | | |
|-------------------------|--------------------|------------|---------|------|----------|----------|-------------------------------------|-------------------------------------------------------------|--------------------------------------------|--|----------------------------------------------------------------------------------------------------------------------------|-----------|----------------------------|---------------|---------|
| Integrated acc. 3737-53 | | 26.03.18 | Rifmann | 2015 | Date | Name | B175 R | Name | Schaltplan B175 R / circuit diagram B175 R | |  Hako GmbH D-23840 Bad Oldesloe | | Drawing Number 91037804 | | |
| A2 | No. Number appears | Change No. | Date | Name | Standard | Verified | Replacem. for Change No. 0000-17 | For this drawing we reserve all rights (acc. DIN ISO 16016) | | | KABI 470 | Type 7434 | Dep. ELK | No. of Sh. 15 | Sheet 4 |

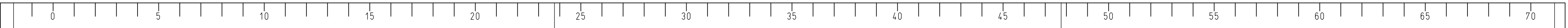


- ### Legende
- A01 Maschinensteuerung
machine controller
 - A02 Bedienfeld
touch panel
 - C01 Entstörkondensator
suppressor capacitor front drive
 - H01 Hupe
horn
 - V01 Freilaufdiode
recovery diode
 - X97 4-pol. USB
4-pol. USB
 - X100 VGND M6 Bolzen
VGND M6 bolt
 - XS13 USSP
ussp
 - XS34 USSP
ussp
 - XS35 USSP
ussp
 - XS36 USSP
ussp
 - XS37 USSP
ussp
 - XS38 USSP
ussp
 - XS39 USSP
ussp
 - XS40 USSP
ussp
 - XS41 USSP
ussp
 - XS42 USSP
ussp

| | | | | | | | | | | | | | | |
|-------------------------|--|------------|----------|----------|----------|----------|--------------------|-------------------------------------------------------------|--|--------------------------------------|----------------|----------|---------------|---------|
| Integrated acc. 3737-53 | | 26.03.18 | Ri/Imann | 2015 | Date | Name | B175 R | Name | | Hako GmbH D-23840 Bad Odesloe | Drawing Number | | | |
| No. Number appears | | Change No. | Date | Name | Standard | Verified | Replacem. for | Schaltplan B175 R / circuit diagram B175 R | | | 91037804 | | | |
| Change No. | | Date | Name | Standard | | | Change No. 0000-17 | For this drawing we reserve all rights (acc. DIN ISO 16016) | | KABI 470 | Type 7434 | Dep. ELK | No. of Sh. 15 | Sheet 5 |

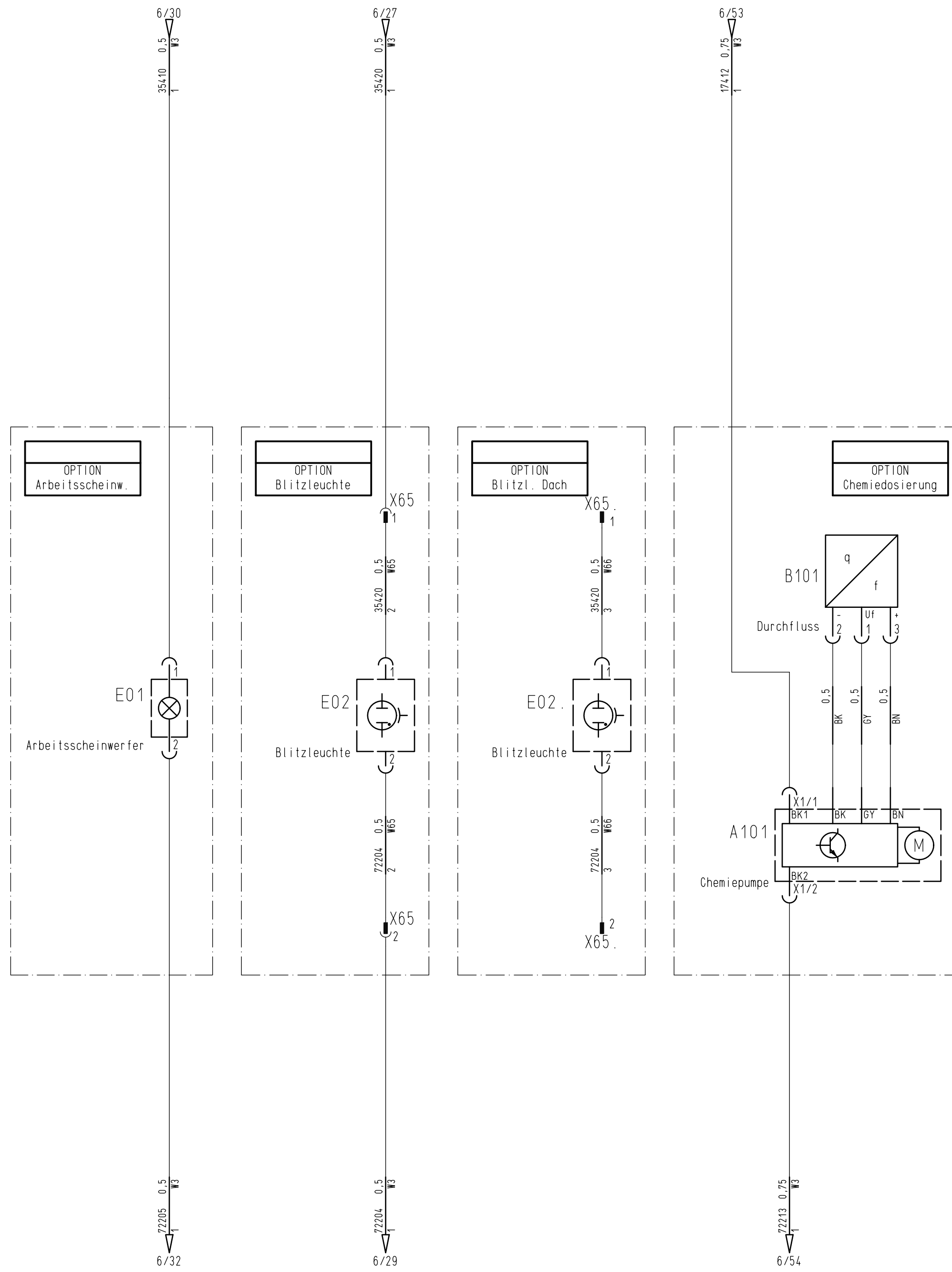


| | | | | | | | | | | | | | | | |
|-------------------------|--|------------|----------|------|----------|----------|--------------------|-------------------------------------------------------------|--------------------------------------------|-----------|----------------------------------------------------------------------------------------------------------------------------|-----------|----------------|---------------|---------|
| Integrated acc. 3737-53 | | 26.03.18 | Ri/Imann | 2015 | Date | Name | B175 R | Name | Schaltplan B175 R / circuit diagram B175 R | |  Hako GmbH D-23840 Bad Oldesloe | | Drawing Number | | |
| No. Number appears | | Change No. | Date | Name | Standard | Verified | Replacem. for | For this drawing we reserve all rights (acc. DIN ISO 16016) | | KAB1 470 | | Type 7434 | Dep. ELK | No. of Sh. 15 | Sheet 9 |
| A2 | | | | | | | Change No. 0000-17 | | | Type 7434 | | Dep. ELK | No. of Sh. 15 | Sheet 9 | |



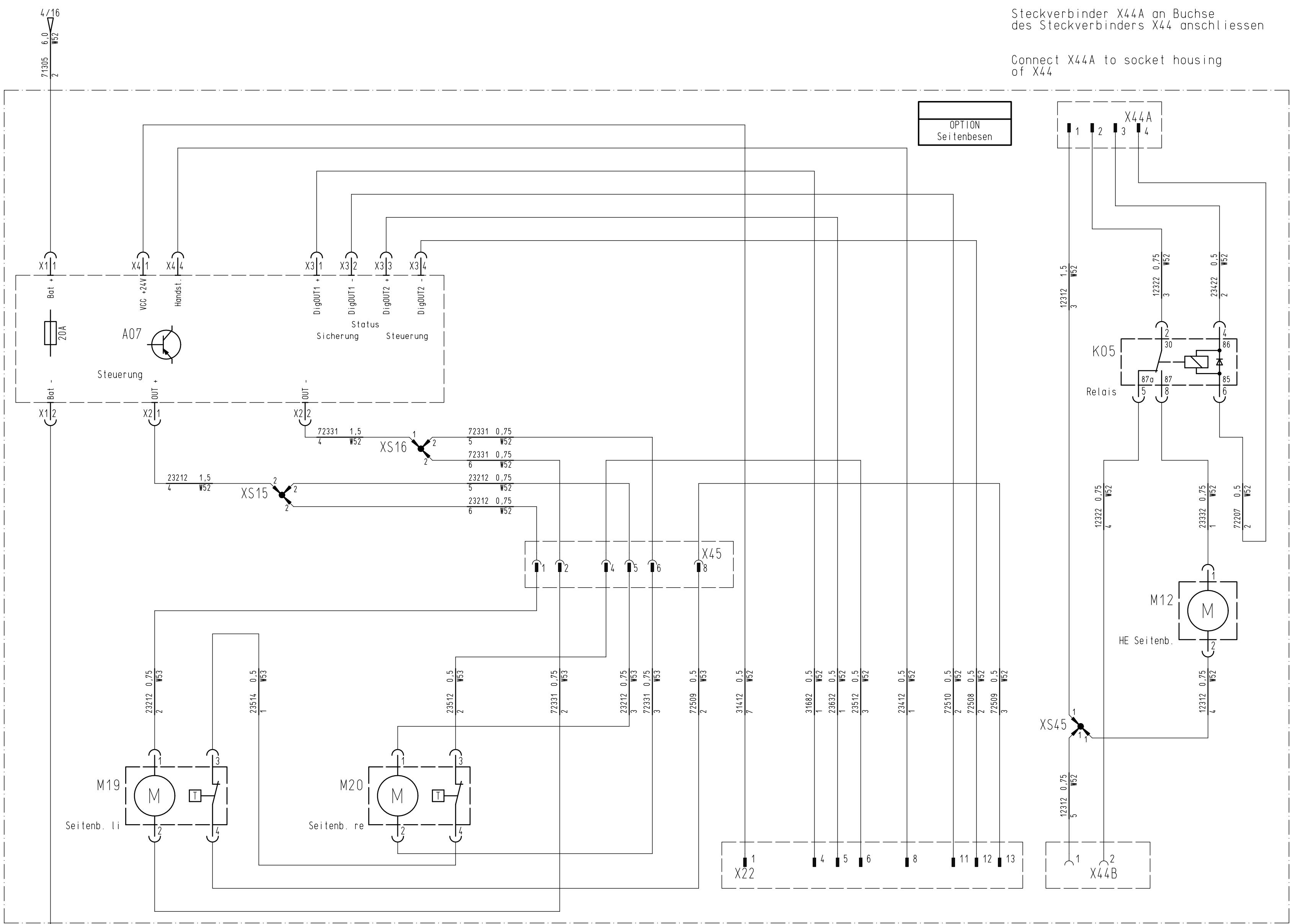
Legende

- A101 Chemiepumpensteuerung
chemical pump controller
- B101 Durchflussmesser
flow sensor
- E01 Arbeitsscheinwerfer
working headlight
- E02 Blitzleuchte
warning beacon
- E02. Blitzleuchte am Schutzdach
warning beacon on overhead cover
- X65 2-pol. Mini-Fit Jr.
2-pol. Mini-Fit Jr.
- X65. 2-pol. Mini-Fit Jr.
2-pol. Mini-Fit Jr.



| | | | | | | | | | | | | | | | |
|-----------------------|--|------------|----------|---------|----------|--------|------|--------------------|--|-------------------------------------------------------------|--|---------------------|--|------------------------|--|
| Integrated acc. | | 3737-53 | 26.03.18 | Rifmann | 2015 | Date | Name | B175 R | | Name | | Hako | | Drawing Number | |
| A2 No. Number appears | | Change No. | Date | Name | Standard | 18.03. | Ri | Replacem. for | | Schaltplan B175 R / circuit diagram B175 R | | Hako GmbH | | 91037804 | |
| | | | | | | | | Change No. 0000-17 | | For this drawing we reserve all rights (acc. DIN ISO 16016) | | D-23840 Bad Odesloe | | No. of Sh. 15 Sheet 10 | |
| | | | | | | | | | | KAB1 470 | | Type 7434 Dep. ELK | | | |

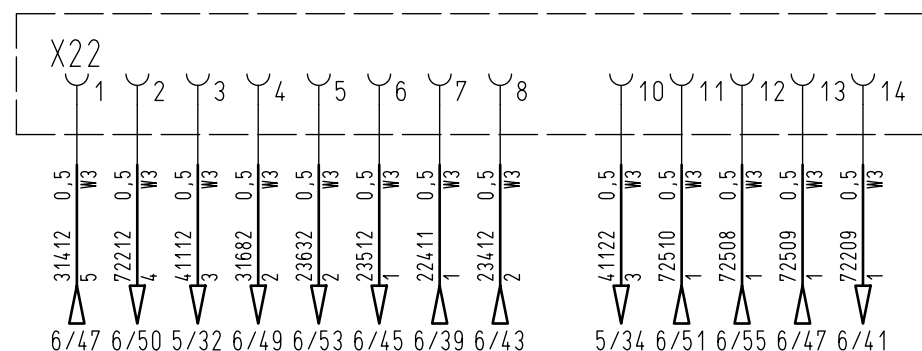




Steckverbinder X44A an Buchse des Steckverbinders X44 anschliessen
Connect X44A to socket housing of X44

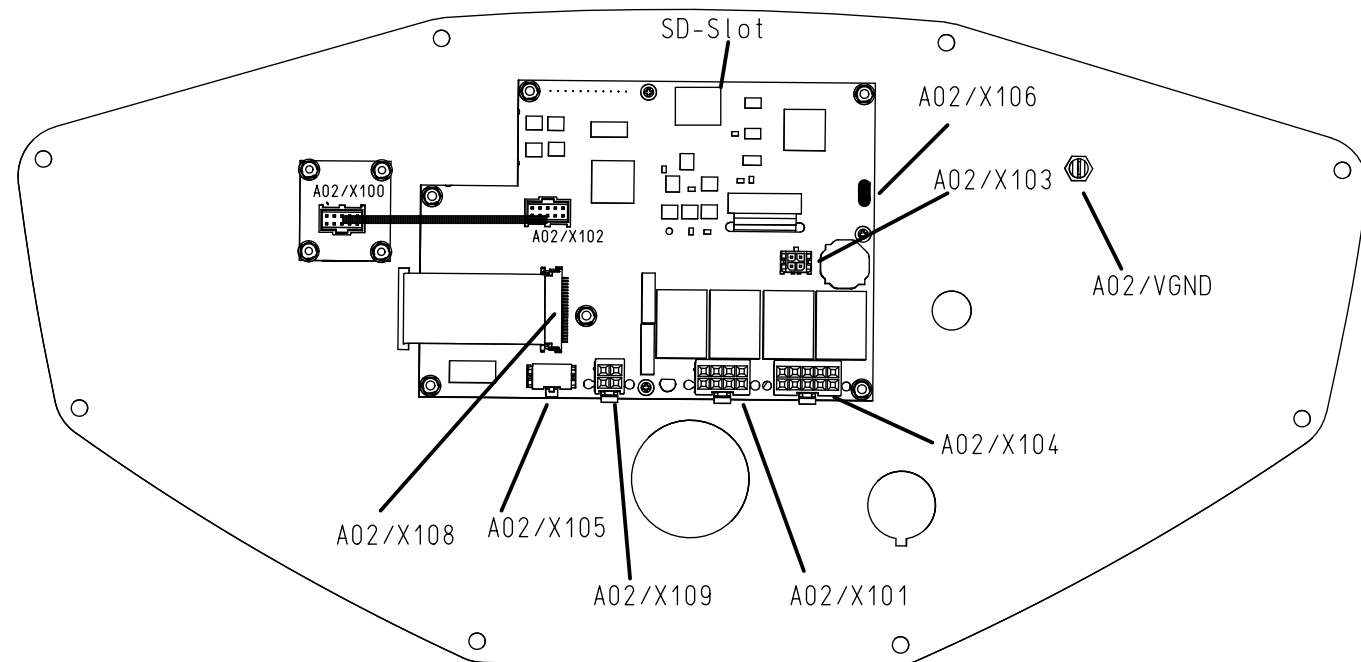
Steckverbinder X44B an Stecker des Steckverbinders X44 anschliessen
Connect X44B to plug housing of X44

- ### Legende
- A07 Steuerung Seitenbesen controller side brushes
 - K05 Rel. Ausheb. rel. sidebr.
 - M12 Hubelement Seitenbesenanlage lifting element side brush deck
 - M19 Seitenbesenmotor links sidebroom left
 - M20 Seitenbesenmotor rechts sidebroom right
 - X22 14-pol. Mini-Fit Jr. 14-pol. Mini-Fit Jr.
 - X44A 4-pol. Fastin-Faston 6.3 4-pol. Fastin-Faston 6.3
 - X44B 4-pol. Fastin-Faston 6.3 4-pol. Fastin-Faston 6.3
 - X45 8-pol. Mini-Fit Jr. 8-pol. Mini-Fit Jr.
 - XS15 USSP ussp
 - XS16 USSP ussp
 - XS45 USSP ussp

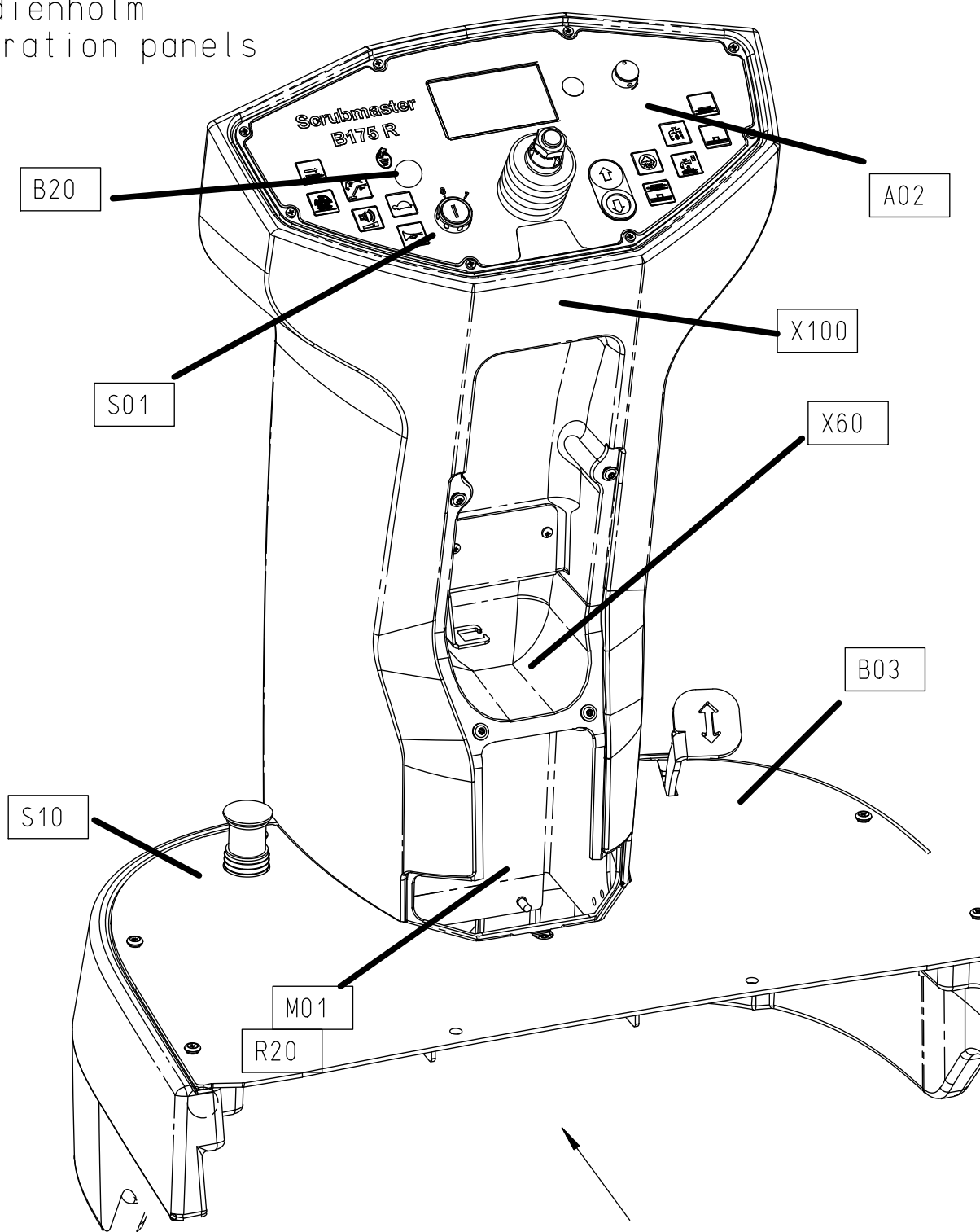


| | | | | | | | | | | | | |
|-----------------------|--|---------|----------|----------|----------|--------|------|---------------|--------------------------------------------|----------------------------------------------------------------------------------------------------------------------------|----------------|---------------|
| A2 No. Number appears | | 3737-53 | 26.03.18 | Ri/Imann | 2015 | Date | Name | B175 R | Name |  Hako GmbH D-23840 Bad Oldesloe | Drawing Number | |
| Integrated acc. | | 3737-53 | 26.03.18 | Ri/Imann | 2015 | 18.03. | Ri | Replacem. for | Schaltplan B175 R / circuit diagram B175 R | | 91037804 | |
| Change No. | | | | | Standard | | | Change No. | 0000-17 | For this drawing we reserve all rights (acc. DIN ISO 16016) | | No. of Sh. 15 |
| | | | | | | | | | | KABI 470 | Type 7434 | Sheet 12 |

A02: Bedienfeld (Blick auf Platine)
 A02: control panel (view of the board)

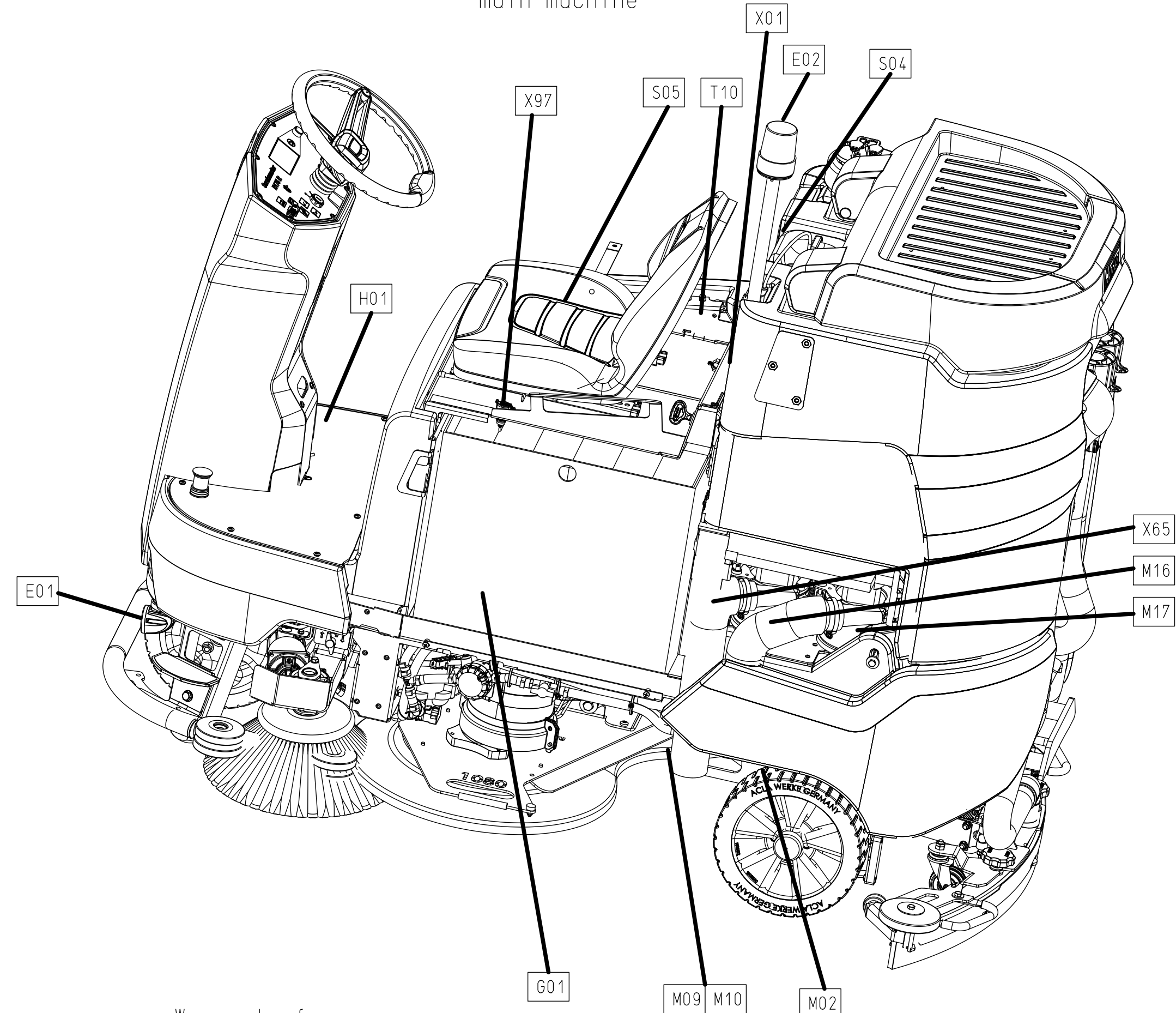


Bedienholm
 operation panels

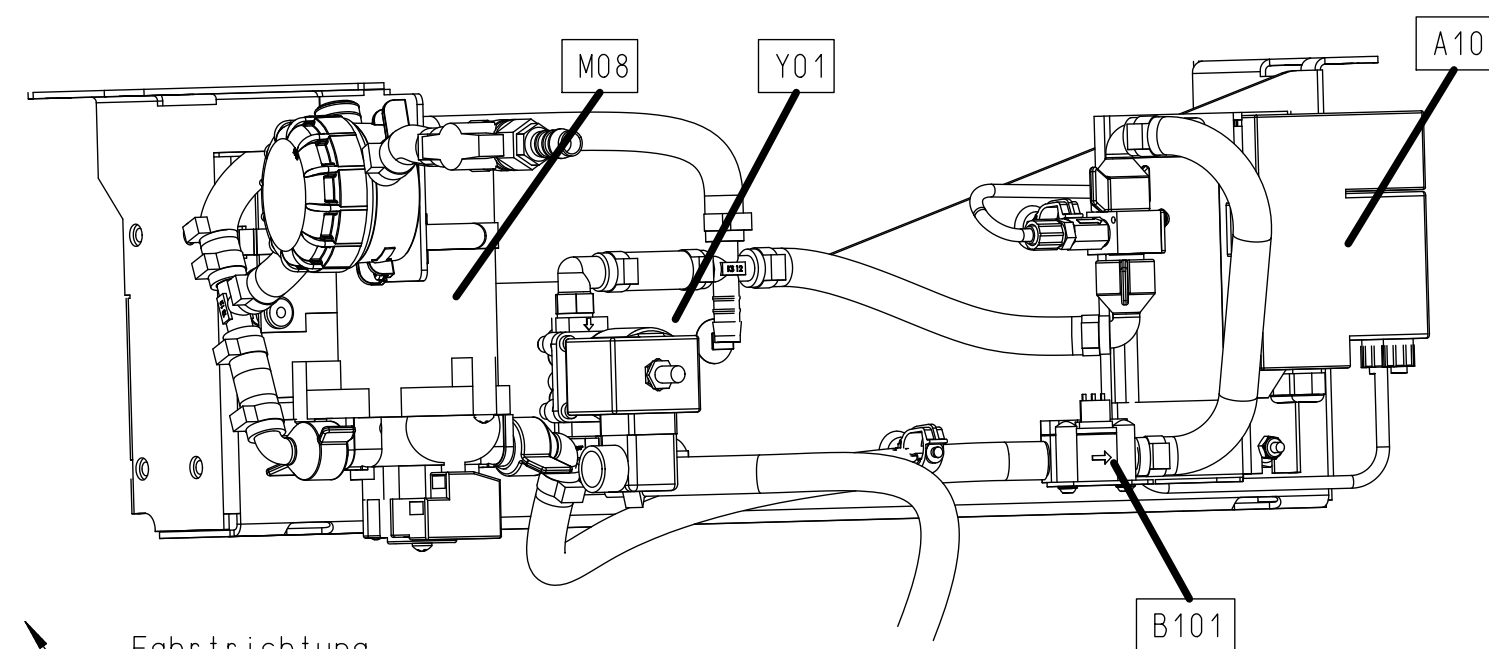


Fahrtrichtung
 driving direction

Gesamtmaschine
 main machine

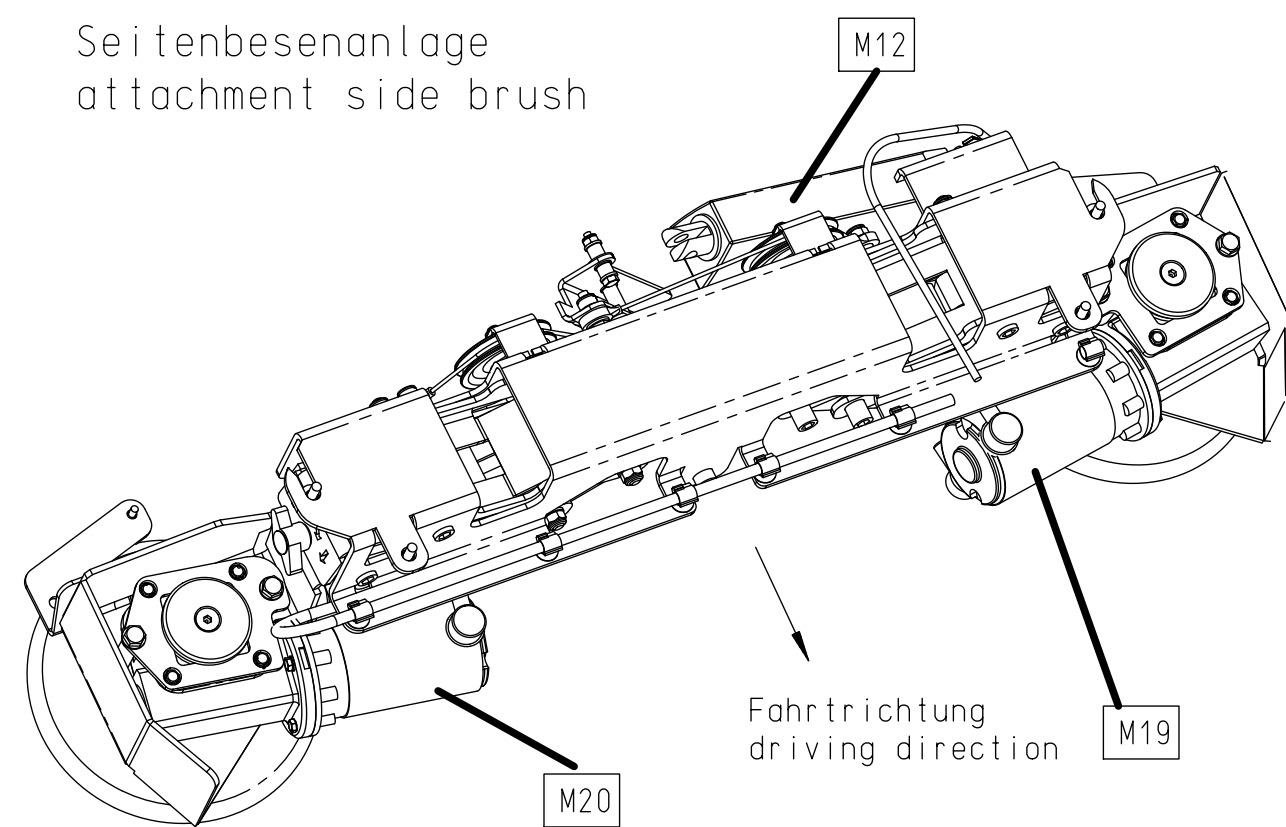
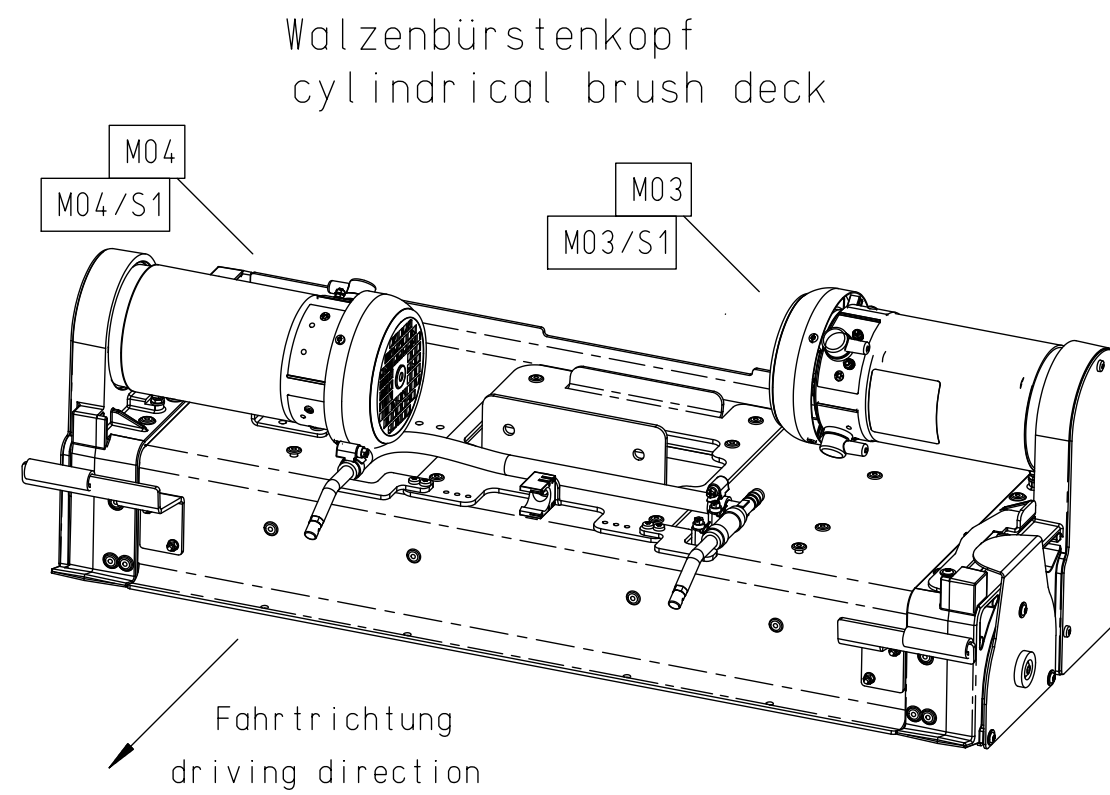
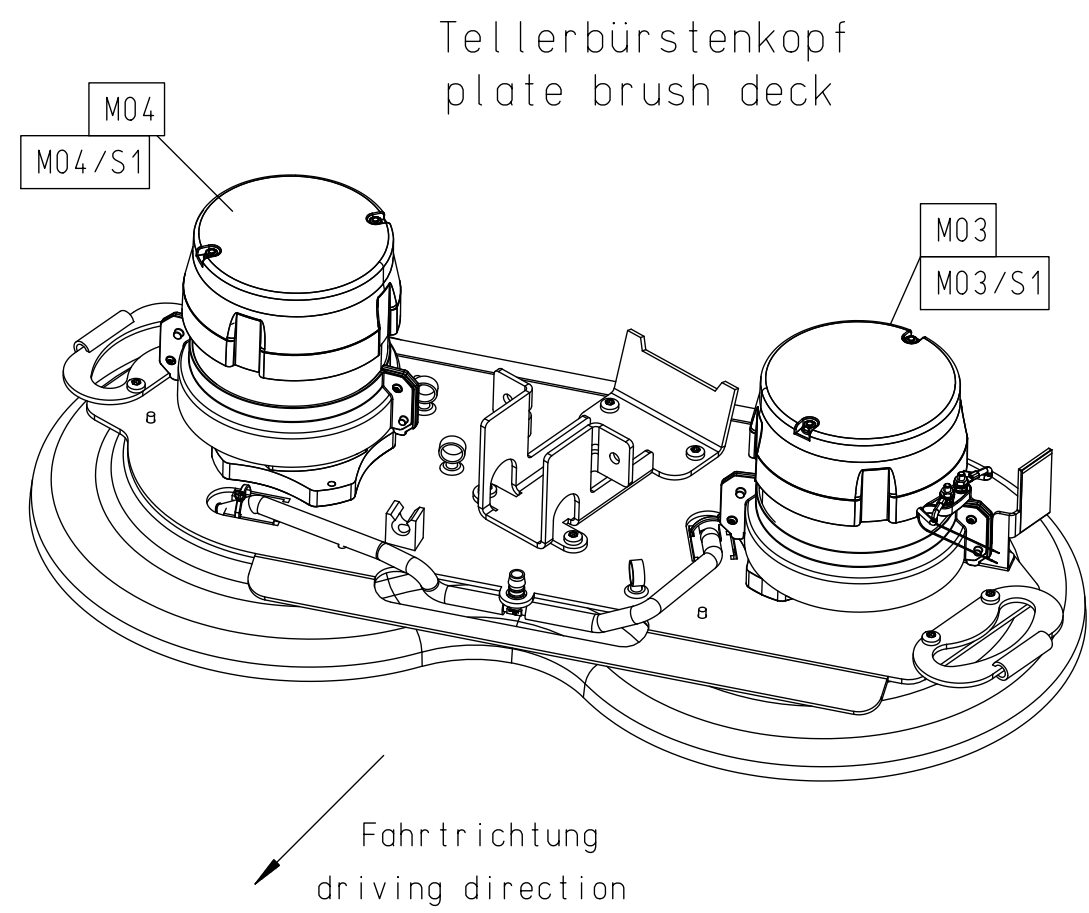


Wasserlauf
 water supply



Fahrtrichtung
 driving direction

| | | | | | | | | | | | | | | | |
|--------------------|--|------------|----------|---------|----------|--------|------|--------------------|--|-------------------------------------------------------------|--|----------------------|--|------------------------|--|
| Integrated acc. | | 3737-53 | 26.03.18 | Ri/mann | 2015 | Date | Name | B175 R | | Name | | Hako | | Drawing Number | |
| No. Number appears | | Change No. | Date | Name | Drawn by | 18.03. | Ri | Replacem. for | | Schaltplan B175 R / circuit diagram B175 R | | Hako GmbH | | 91037804 | |
| | | | | | Verified | | | Change No. 0000-17 | | For this drawing we reserve all rights (acc. DIN ISO 16016) | | D-23840 Bad Oldesloe | | No. of Sh. 15 Sheet 14 | |
| | | | | | Standard | | | | | KAB1 470 | | Type 7434 Dep. ELK | | | |



| | | | | | | | | | | | | | | | |
|--------------------|--|------------|----------|---------|----------|----------|------|---------------|-------------------------------------------------------------|--------------------------------------------|---------------------------------------------------------------------------------------------------------------------------|----------------|-----------|---------------|---------------|
| Integrated acc. | | 3737-53 | 26.03.18 | Ri/mann | 2015 | Date | Name | B175 R | Name | Schaltplan B175 R / circuit diagram B175 R |  Hako GmbH D-23840 Bad Odesloe | Drawing Number | | | |
| No. Number appears | | Change No. | Date | Name | Standard | 18.03. | Ri | Replacem. for | For this drawing we reserve all rights (acc. DIN ISO 16016) | | | KAB1 470 | Type 7434 | Dep. ELK | No. of Sh. 15 |
| Change No. | | Date | | Name | | Standard | | Change No. | 0000-17 | KAB1 470 | | Type 7434 | Dep. ELK | No. of Sh. 15 | Sheet 15 |